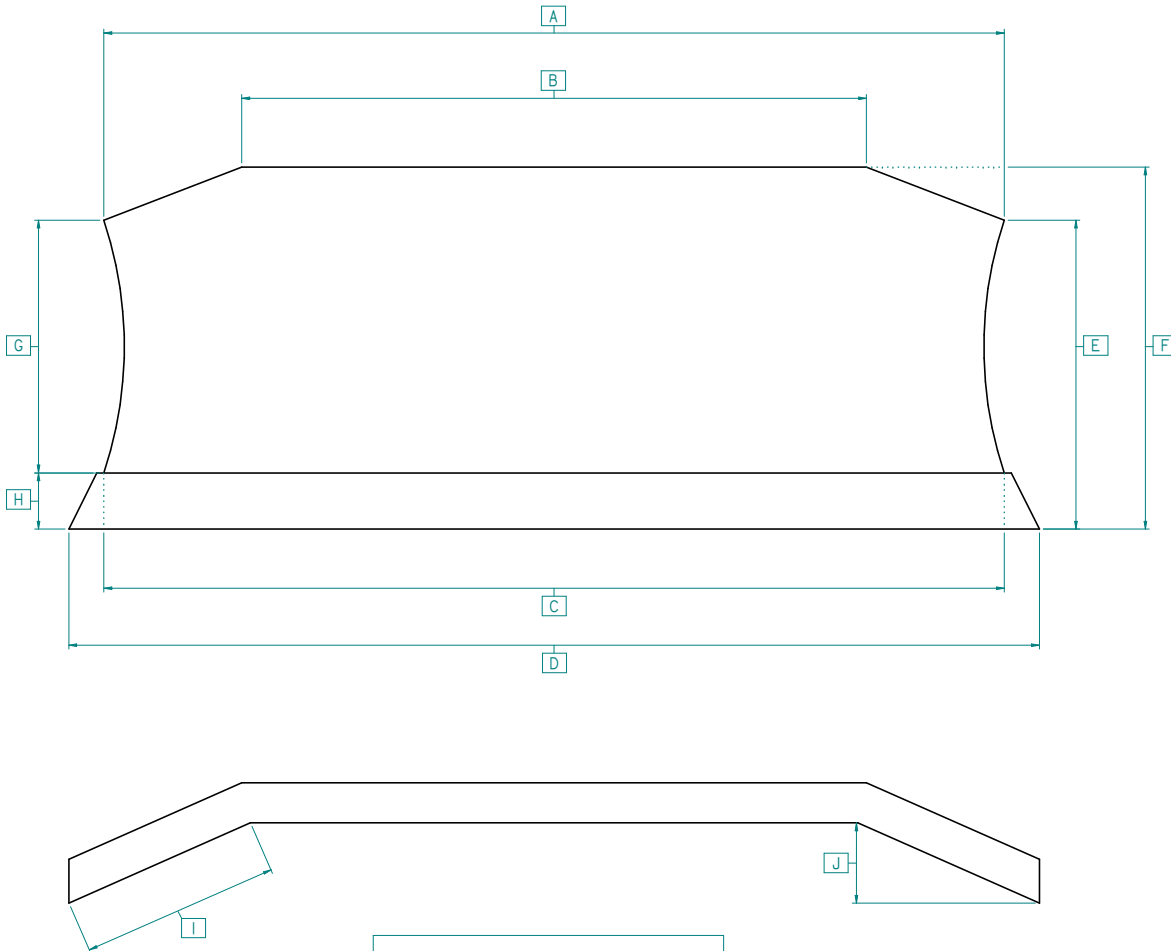


**CONFIDENTIAL**

SPECIFICATIONS, DESCRIPTIONS, AND ANY OTHER INFORMATION CONTAINED IN THIS DRAWING IS THE PROPERTY OF SOLESBEE'S EQUIPMENT & ATTACHMENTS, LLC AND MAY NOT BE COPIED, PUBLISHED, OR DISSEMINATED WITHOUT WRITTEN PERMISSION FROM AN AUTHORIZED AGENT OF SOLESBEE'S EQUIPMENT & ATTACHMENTS, LLC



IF YOUR BLADE DIFFERS FROM DRAWING PLEASE SKETCH AND DIMENSION CORRECT BLADE MAKING SURE TO NOTATE ANY OBSTRUCTIONS

REVISION HISTORY			
REV	DESCRIPTION	DATE	APPROVED

CUSTOMER: \_\_\_\_\_

PHONE # \_\_\_\_\_


DOZER MAKE: \_\_\_\_\_

DOZER MODEL: \_\_\_\_\_

MEASURED BY: \_\_\_\_\_

DATE: \_\_\_\_\_

- A \_\_\_\_\_
- B \_\_\_\_\_
- C \_\_\_\_\_
- D \_\_\_\_\_
- E \_\_\_\_\_
- F \_\_\_\_\_
- G \_\_\_\_\_
- H \_\_\_\_\_
- I \_\_\_\_\_
- J \_\_\_\_\_

	NAME	DATE	
DRAWN	mvaughn	09/02/14	
CHECKED			
ENG APPR			
MGR APPR			TITLE
UNLESS OTHERWISE SPECIFIED DIMENSIONS ARE IN INCHES ANGLES ±1° 2 PL ±.03 3 PL ±.0004			Dozer Blade Spec Sheet SIZE DWG NO D FILE NAME: Dozer Blade Spec Sheet.dft SCALE WEIGHT: SHEET 1 OF 1