

Machine Manufacture & Model: _____

Bucket Manufacture: _____

Quick Coupler Manufacture: _____

Customer: _____

Phone Number: _____

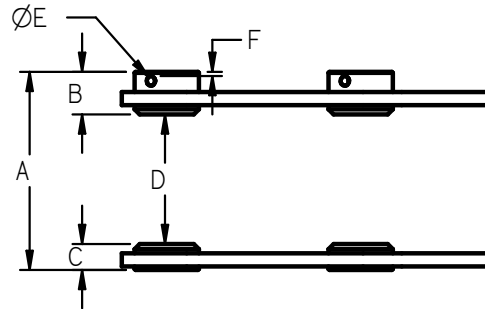
Measured By: _____

Date: _____

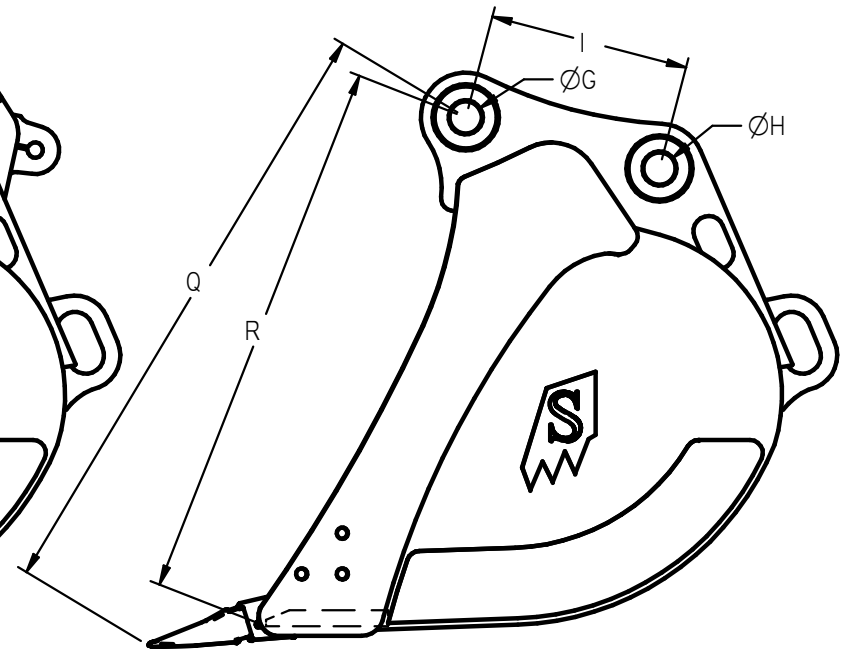
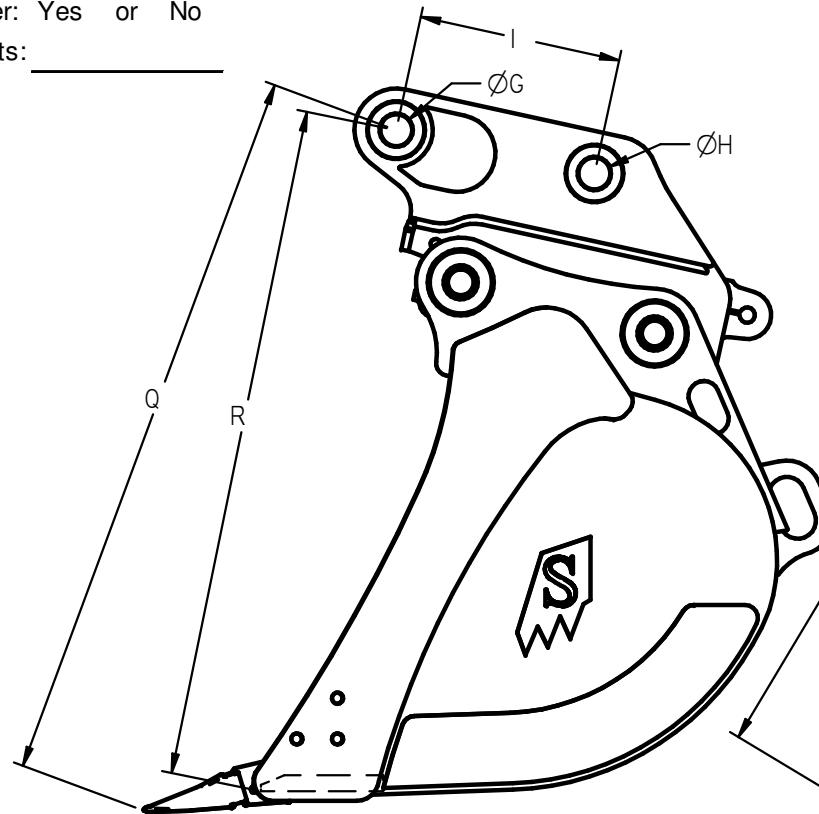
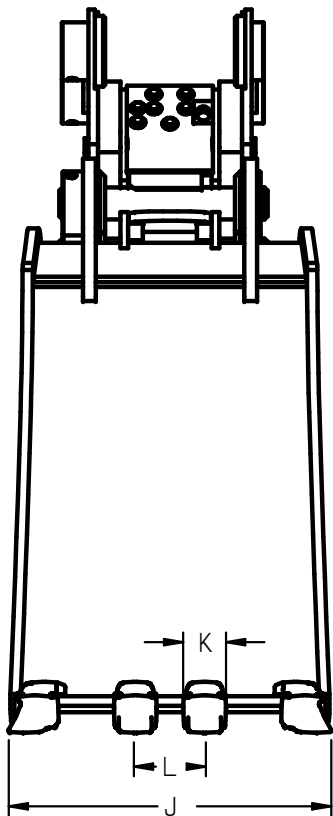
Quick Coupler: Yes or No

Slack Adjuster: Yes or No

If yes: Number of Bolts: _____



- A: _____ overall boss width
- B: _____ boss width, inside edge to outside edge
- C: _____ boss width, inside edge to outside edge
- D: _____ stick width
- ØE: _____ bolt hole diameter
- F: _____ edge of boss to center of bolt hole
- ØG: _____ main pin diameter
- ØH: _____ h-link pin diameter
- I: _____ center main pin to center h-link pin
- J: _____ bucket width at tip of teeth
- K: _____ tooth at widest point
- L: _____ center tooth to center tooth
- Q: _____ center of main pin to tip of teeth
- R: _____ center of main pin to cutting edge



number of bucket teeth: _____