

LOADER (QC)

Phone: (800) 419-8090 Fax: (770) 947-9916

PLEASE PROVIDE DIMENSIONS BELOW:

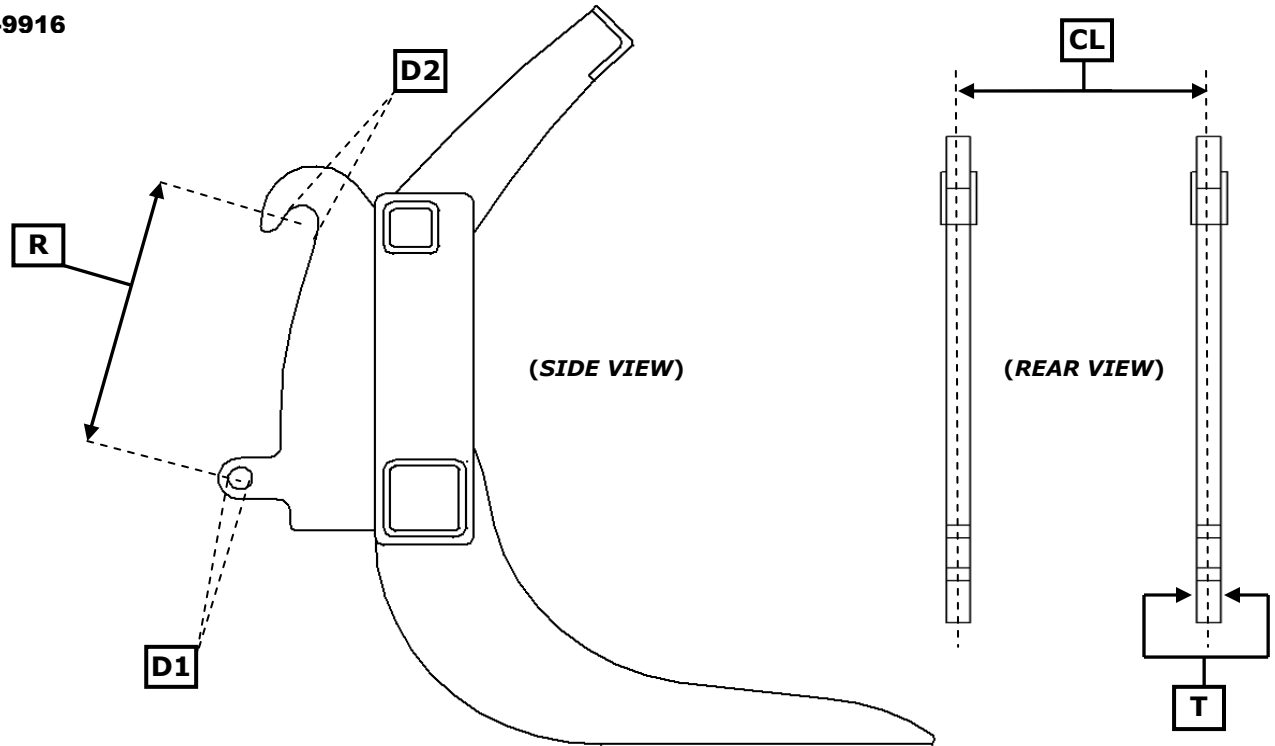
CL _____

T _____

D2 _____

D1 _____

R _____



CUSTOMER: _____

PHONE #: _____

LOADER MAKE: _____

MODEL: _____

SIGNATURE: _____

DATE: _____

CLASS	SERIES	T	R	D1	D2	CL	
BACKHOE	84	1.50	13.00	1.56	2.03	24.38	
BACKHOE	580	1.50	17.32	1.56	2.03	31.38	
BACKHOE	DEERE E	1.00	20.33	1.71	2.62	38.20	
BACKHOE	KOM.WB	1.50	17.67	1.81	2.03		
						29.38	
200/300/500	416	1.50	16.27	2.06	3.03	30.62	
NON-CURRENT	417	1.50	20.67	2.06	3.03		
						26.97	
	600	1.50	20.67	2.06	3.03	32.75	
	700/800	420	2.00	21.12	2.06	4.03	29.00
NON-CURRENT	D	1.50	21.68	2.06	2.28	27.38	
NON-CURRENT	FR	1.50	26.25	2.06	3.03	32.50	
NON-CURRENT	G	1.50	16.27	2.06	3.03	25.40	
	CAT IT28	1.50	19.93	2.00	2.48	22.44	
	CAT IT38	1.50	22.79	2.06	3.09	36.25	
	200/300/600 VOL 120	1.50	24.26	1.98	2.42	39.36	
	BALD1	5.00	22.75	1.50	4.00		
						26.50	
	200/300/500 BALD2	5.00	21.00	2.00	4.00	20.75	
	600/700 BALD3	5.00	20.60	2.00	5.00	23.50	