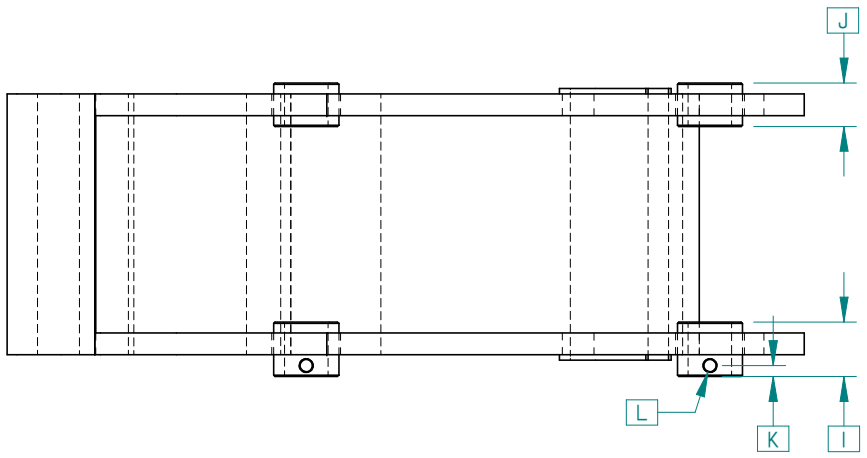


REVISION HISTORY			
REV	DESCRIPTION	DATE	APPROVED

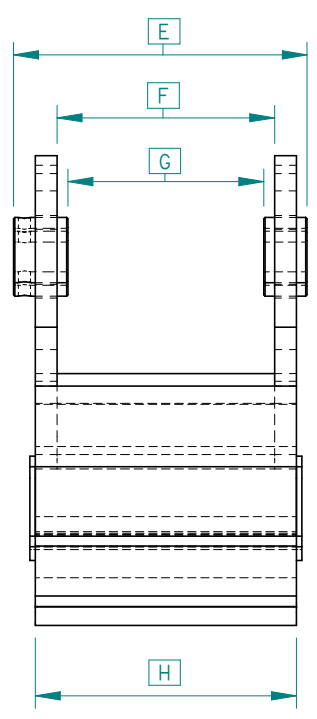
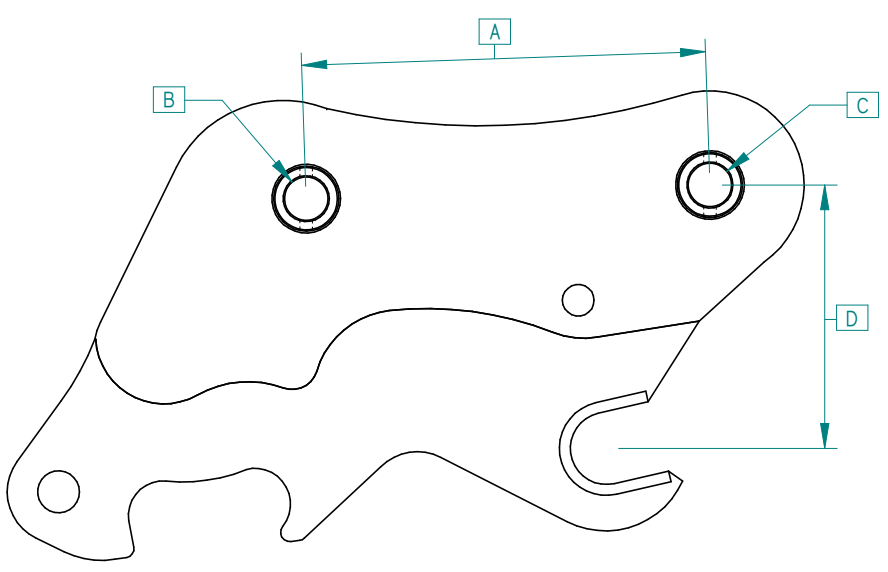


CUSTOMER: \_\_\_\_\_

PHONE # \_\_\_\_\_

MEASURED BY: \_\_\_\_\_

DATE: \_\_\_\_\_



- A \_\_\_\_\_
- B \_\_\_\_\_
- C \_\_\_\_\_
- D \_\_\_\_\_
- E \_\_\_\_\_
- F \_\_\_\_\_
- G \_\_\_\_\_
- H \_\_\_\_\_
- I \_\_\_\_\_
- J \_\_\_\_\_
- K \_\_\_\_\_
- L \_\_\_\_\_

**CONFIDENTIAL**

SPECIFICATIONS, DESCRIPTIONS, AND ANY OTHER INFORMATION CONTAINED IN THIS DRAWING IS THE PROPERTY OF SOLESBEE'S EQUIPMENT & ATTACHMENTS, LLC AND MAY NOT BE COPIED, PUBLISHED, OR DISSEMINATED WITHOUT WRITTEN PERMISSION FROM AN AUTHORIZED AGENT OF SOLESBEE'S EQUIPMENT & ATTACHMENTS, LLC

	NAME	DATE		TITLE Quick Coupler Spec Sheet
DRAWN	mvaughn	06/10/14		
CHECKED				
ENG APPR				
MGR APPR				
UNLESS OTHERWISE SPECIFIED DIMENSIONS ARE IN INCHES ANGLES ±1° 2 PL ±.03 3 PL ±.0004			SIZE D	DWG NO.
			FILE NAME: Quick Coupler Spec Sheet.dft	REV
SCALE		WEIGHT	SHEET 1 OF 1	