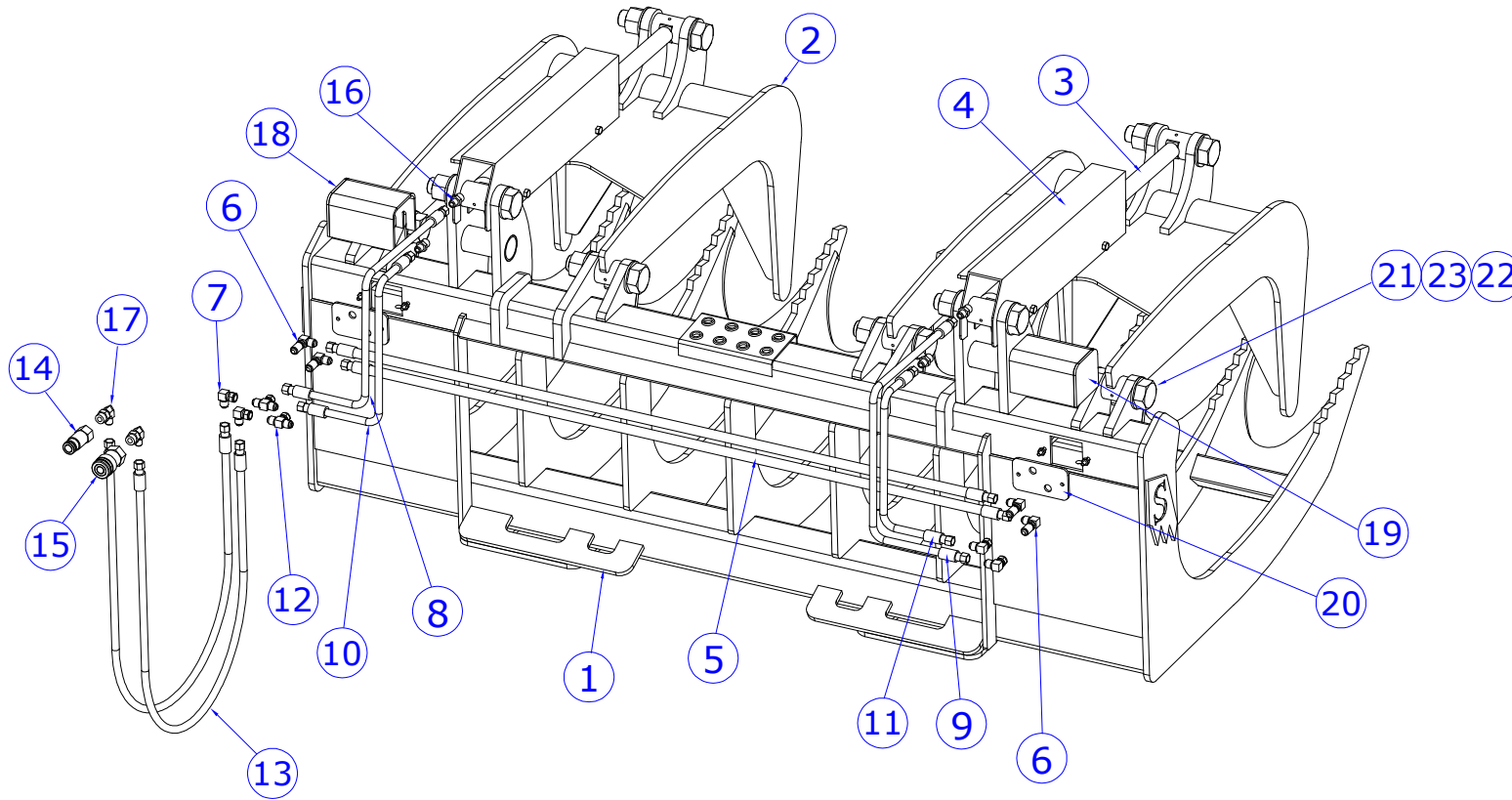


SKID STEER GRAPPLE MAINTENANCE



- Grease all fittings every four (4) hours of operation.
- Check abrasive hose sleeves periodically for cuts or wear.
- Check every two weeks to ensure all fitting joints are tight.
- Bolts may loosen from vibration during operation. Ensure all bolts are tightened before each use.



Failure to perform routine maintenance as directed will VOID warranty and could result in damage to equipment!

| # | QTY | DESCRIPTION | PART # | # | QTY | DESCRIPTION | PART # |
|----|-----|----------------------------|---------------|----|-----|--------------------------------|-------------------------|
| 1 | 1 | Grapple | SSG-1.2-06 | 13 | 2 | Lead Line | SSG-1-HH-LL |
| 2 | 2 | Clamp | SSG-1.2-02 | 14 | 1 | Male Quick Coupler | SSG-1-HF-M1 |
| 3 | 2 | Hydraulic | SSG-1.2-05 | 15 | 1 | Female Quick Coupler | SSG-1-HF-F1 |
| 4 | 2 | Hydraulic Cover Assy | SSG-1.2-08 | 16 | 4 | Straight Male Male | SSG-1-HF-SMM |
| 5 | 2 | Cross Tube Hose Assy | SSG-H-CT01 | 17 | 2 | 0.75-16 SAE, 90 Deg Elbow | SSG-1-HF-0.75-16 SAE-90 |
| 6 | 4 | L Connector with Lock Nut | SSG-1-HF-LCLN | 18 | 1 | Cover Assy, Left | SSG-1.2-C-L1 |
| 7 | 4 | L Connector wth Female Nut | SSG-1-HF-LCFN | 19 | 1 | Cover Assy, Right | SSG-1.2-C-R1 |
| 8 | 1 | Long Hose, Left Assy | SSG-1-HH-L1 | 20 | 2 | Hydraulic Hose Connector Plate | SSG-1.2-055 |
| 9 | 1 | Long Hose, Right Assy | SSG-1-HH-R1 | 21 | 8 | 1-1.4 Flat Washer | |
| 10 | 1 | Short Hose, Left Assy | SSG-1-HH-L2 | 22 | 4 | 1-1.4-12 Nyloc Nut | |
| 11 | 1 | Short Hose, Right Assy | SSG-1-HH-R2 | 23 | 4 | 1-1.4-12 x 5.5 Hex Head Bolt | |
| 12 | 2 | T Connector wth Female Nut | SSG-1-HF-TCFN | | | | |