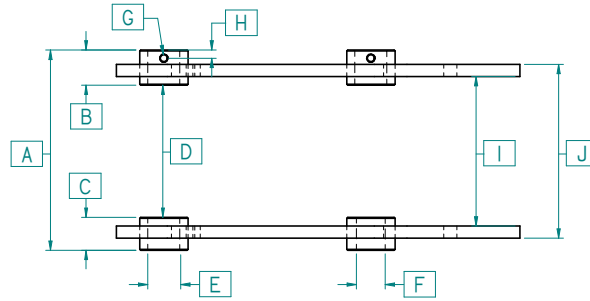


CONFIDENTIAL

SPECIFICATIONS, DESCRIPTIONS, AND ANY OTHER INFORMATION CONTAINED IN THIS DRAWING IS THE PROPERTY OF SOLESBEE'S EQUIPMENT & ATTACHMENTS, LLC AND MAY NOT BE COPIED, PUBLISHED, OR DISSEMINATED WITHOUT WRITTEN PERMISSION FROM AN AUTHORIZED AGENT OF SOLESBEE'S EQUIPMENT & ATTACHMENTS, LLC

REVISION HISTORY			
REV	DESCRIPTION	DATE	APPROVED



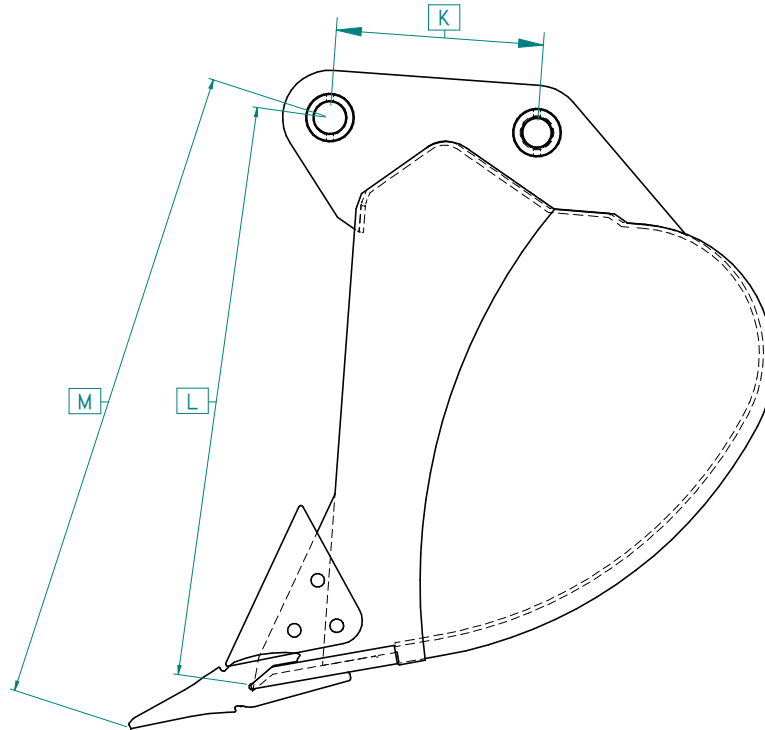
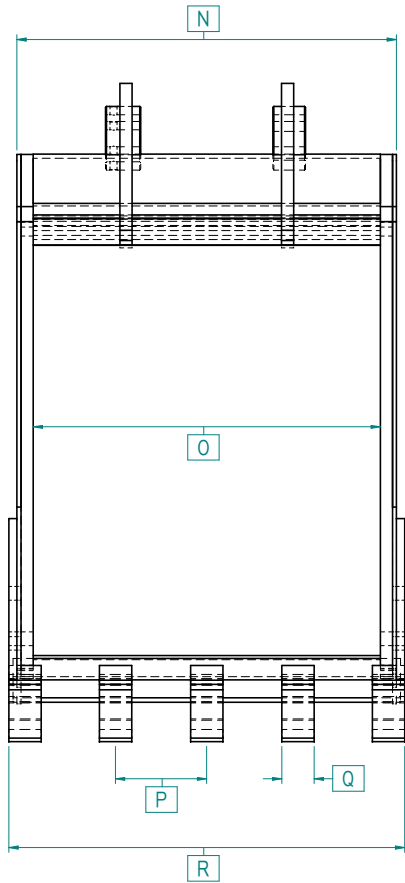
CUSTOMER: _____

PHONE #: _____

MEASURED BY: _____

DATE: _____


A	_____	J	_____
B	_____	K	_____
C	_____	L	_____
D	_____	M	_____
E	_____	N	_____
F	_____	O	_____
G	_____	P	_____
H	_____	Q	_____
I	_____	R	_____



OF TEETH: _____

QUICK COUPLER: YES NO

SLACK ADJUSTER: YES NO

	NAME	DATE		
DRAWN	mvaughn	09/02/14		
CHECKED				
ENG APPR				
MGR APPR				
UNLESS OTHERWISE SPECIFIED DIMENSIONS ARE IN INCHES ANGLES ±1° 2 PL ±.03 3 PL ±.0004			TITLE	Bucket Spec Sheet
SIZE	DWG NO:		REV	
FILE NAME:	Bucket Spec Sheet.dft		SCALE:	WEIGHT:
			SHEET 1 OF 1	