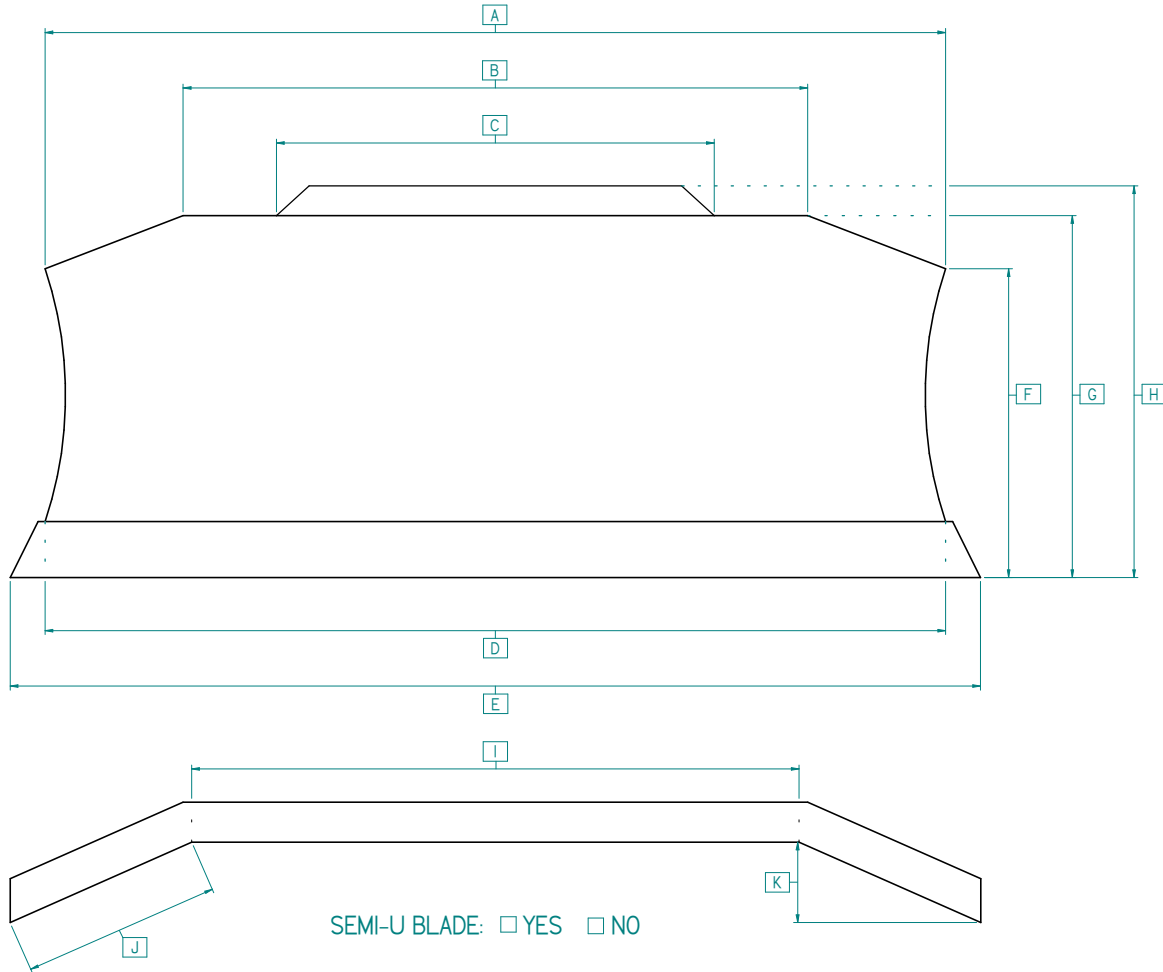


CONFIDENTIAL

SPECIFICATIONS, DESCRIPTIONS, AND ANY OTHER INFORMATION CONTAINED IN THIS DRAWING IS THE PROPERTY OF SOLESBEE'S EQUIPMENT & ATTACHMENTS, LLC AND MAY NOT BE COPIED, PUBLISHED, OR DISSEMINATED WITHOUT WRITTEN PERMISSION FROM AN AUTHORIZED AGENT OF SOLESBEE'S EQUIPMENT & ATTACHMENTS, LLC



****SOME DIMENSIONS MAY NOT APPLY TO YOUR BLADE****
 IF YOUR BLADE DIFFERS FROM DRAWING ABOVE PLEASE SKETCH AND DIMENSION CORRECT BLADE. MAKE SURE TO NOTATE (AND DIMENSION) ANY OBSTRUCTIONS ALONG TOP OF BLADE. DIMENSIONS "D, E, J, K & I" SHOULD BE MEASURED ALONG THE CUTTING EDGE OR BOTTOM OF BLADE.

REVISION HISTORY			
REV	DESCRIPTION	DATE	APPROVED

CUSTOMER: _____

PHONE # _____

MAKE / MODEL: _____

MEASURED BY: _____

DATE: _____

- A _____
- B _____
- C _____
- D _____
- E _____
- F _____
- G _____
- H _____
- I _____
- J _____
- K _____

	NAME	DATE	
DRAWN	mvaughn	09/25/14	
CHECKED			
ENG APPR			
MGR APPR			TITLE
UNLESS OTHERWISE SPECIFIED DIMENSIONS ARE IN INCHES ANGLES ±1° 2 PL ±.03 3 PL ±.000			Dozer Blade Spec Sheet
	SIZE	DWG NO	REV
	D		
	FILE NAME: Dozer Blade Spec Sheet FINAL.dft		
	SCALE	WEIGHT	SHEET 1 OF 1