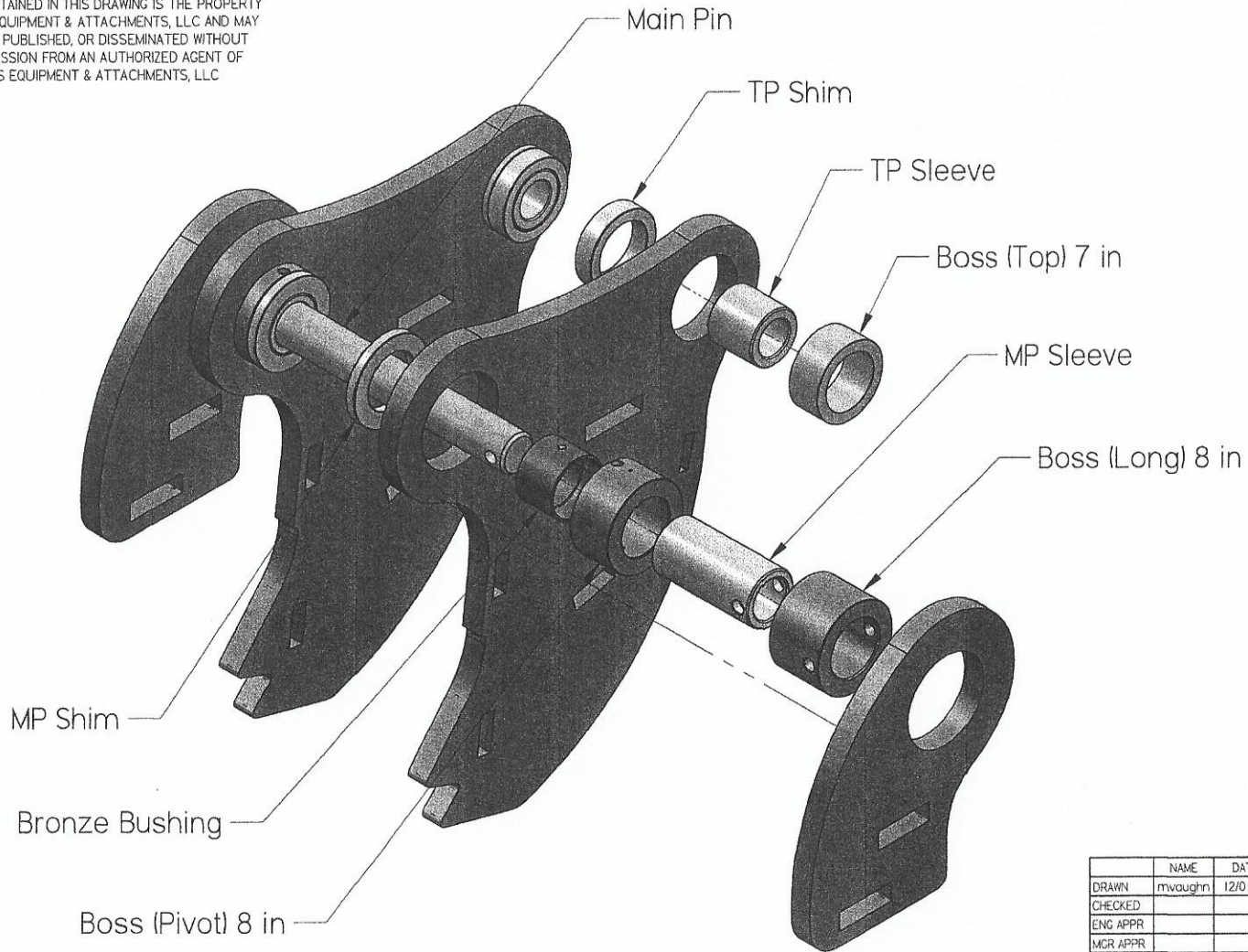


CONFIDENTIAL

SPECIFICATIONS, DESCRIPTIONS, AND ANY OTHER INFORMATION CONTAINED IN THIS DRAWING IS THE PROPERTY OF SOLESBEE'S EQUIPMENT & ATTACHMENTS, LLC AND MAY NOT BE COPIED, PUBLISHED, OR DISSEMINATED WITHOUT WRITTEN PERMISSION FROM AN AUTHORIZED AGENT OF SOLESBEE'S EQUIPMENT & ATTACHMENTS, LLC

REVISION HISTORY			
REV	DESCRIPTION	DATE	APPROVED



	NAME	DATE		
DRAWN	mvaughn	12/01/14		
CHECKED				
ENG APPR				
MGR APPR				
UNLESS OTHERWISE SPECIFIED DIMENSIONS ARE IN INCHES ANGLES = 1° 2 PL ±.03 3 PL ±.XXX			SIZE	DWG NO.
			SCALE	WEIGHT
			SHEET 1 OF 1	



TITLE Exploded Parts for Komatsu PC 300 (Named)

FILE NAME: Exploded Parts for Komatsu PC 300 (Named).dwt