

# ATTACHMENTS

---

## CATALOG











## OUR STORY //

Solesbee's, a member of the Kinshofer Group, has provided time saving, practical and exclusive quality attachments to the commercial construction industries. Now, the name you trust is committed to providing efficient, consistent quality, on-time availability, and solid performance—backed up by Solesbee's 2-Year Guarantee.

Look to Solesbee's for solutions to all your contractor needs, from excavator attachments, loader attachments, dozer attachments, and skid steer attachments.

*Solesbee's promise is to provide the best return per dollar of any equipment investment you will ever make.*

Respectfully yours,

A handwritten signature in black ink that reads "David Jenkins".

*David Jenkins*



## **OUR TEAM //**

For over thirty years, Solesbee's has been synonymous with quality, integrity, and outstanding service. Our tight-knit team has decades of experience and a commitment to delivering the highest quality heavy-duty machine attachments in the industry. We pride ourselves on providing quality, innovative products and exceptional customer service.

## **OUR PROMISE //**

*We are committed to delivering excellent products, on-time delivery, and sales support to our valued customers and trusted dealers.*



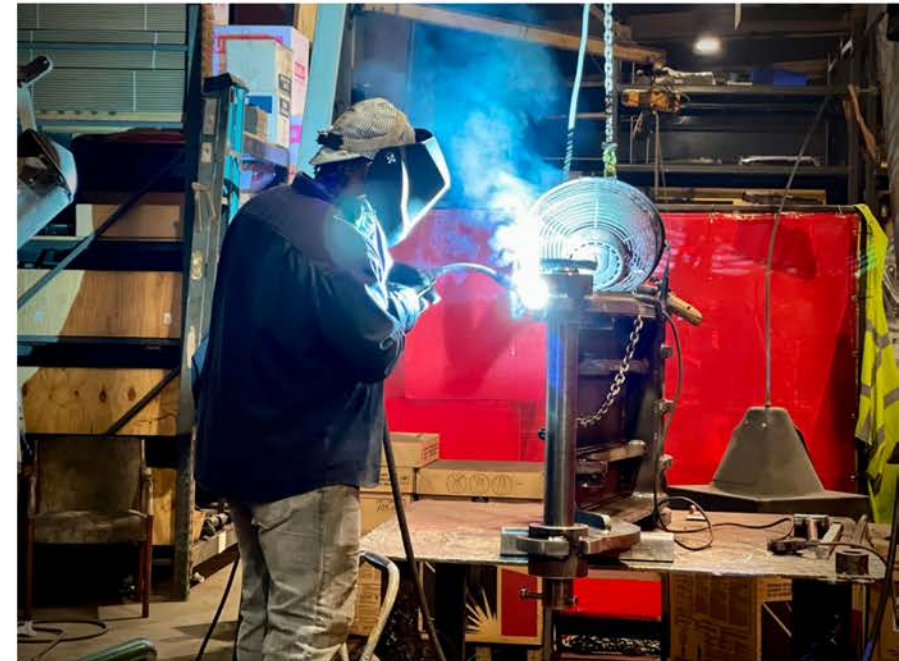
# OUR FACILITIES //

WINSTON, GA | VILLA, RICA. GA

Solesbee's has proudly been based in Georgia since its founding in 1993. We expanded to our modern 42,000 sq/ft facility in Winston, GA in 2013 and have since been manufacturing and assembling our equipment attachments in-house. We maintain plenty of stock in our Villa Rica warehouse, ensuring quick lead times for our customers.

We pride ourselves on our range of products assembled by our skilled team of engineers, welders, and builders.

Our strategically placed location is just miles outside of Atlanta and in proximity to the major highway I-20, allowing for optimal transportation and quick shipping throughout throughout the Southeast and beyond.





# EXCAVATOR

## ATTACHMENTS

FIND THE IDEAL ATTACHMENT FOR THE TASK IN-HAND,  
WITH THE PERFECT FIT FOR YOUR EXCAVATOR.

*Solesbee's offers a wide range of excavator  
attachments to suit your application*





## EXCAVATOR BUCKETS //

- Buckets contain additional wear material in the base edge and bottom wear strips
- Available for all makes and models of excavators from 4,000 lbs. up to 79,000 lbs. operating weight and backhoes
- Customized buckets built according to your specifications
- Heavy duty, severe duty, standard duty and ditching buckets to use with or without quick couplers available



## T-PIN QUICK HITCH BUCKETS //

- Buckets contain additional wear material in the base edge and bottom wear strips
- Available for all makes and models of excavators from 4,000 lbs. up to 79,000 lbs. operating weight and backhoes
- Customized buckets built according to your specifications
- Heavy duty, severe duty, standard duty and ditching buckets to use with or without quick couplers available



## MANUAL QUICK COUPLERS //

- Available for all makes and models of excavators from 4,000 lbs up to 45,000 lbs operating weight
- Easy installation
- No hydraulics for coupling necessary



## HYDRAULIC QUICK COUPLERS //

- The safety knuckle instantly engages onto the front pin without any operator command
- The safety knuckle is activated automatically—regardless of the operator controlled, self-adjusting, main locking wedge
- After the coupler is uncoupled from the attachment and the operator's action is delayed, the safety knuckle will return to the safe position
- From 7,000 lbs. up to 79,000 lbs.





## EXCAVATOR RAKES //

- Replaceable weld-on wear strips
- Simple installation - easily interchanges with bucket
- Can also be used with quick coupler
- Works with any existing manual or hydraulic thumb
- Various widths for excavators with 14,000 lbs. up to 79,000 lbs.
- Custom sizes and widths also available



## EXCAVATOR GRAPPLES //

- For land clearing , demolition, waste recycling, scrap yards, etc.
- Simple installation - no hydraulics needed
- Grapples come with all pins and hardware
- Once stabilizer bracket is welded to the arm, the unit easily interchanges with a bucket
- For excavators from 14,000 lbs. to 79,000 lbs. operating weight
- Custom sizes and widths available





## EXCAVATOR WOOD SHEARS //

- Mechanical and hydraulic versions available
- Shear and split stumps, logs, ties, poles and roots for recycling
- Pull stumps from the ground with ease
- Separate dirt, rocks and other unwanted debris material
- Available for excavators with 40,000 lbs. up to 79,000 lbs. operating weight



## EXCAVATOR RIPPERS //

- Rip out stumps, roots and pipes
- Bust up frozen ground
- Easily install to excavator stick or quick coupler
- Bolt-on tooth
- Available for excavators with 14,000 lbs. up to 79,000 lbs. operating weight or for backhoe loaders
- All pins and hardware are included





## EXCAVATOR STUMP PULLERS //

- Rip out stumps, roots and pipes
- Easily install to excavator stick or quick coupler
- Available for excavators with 33,000 lbs. up to 79,000 lbs. operating weight or for backhoe loaders
- Includes all pins and hardware



## EXCAVATOR CONCRETE CRUSHERS //

- Increase the productivity and efficiency of your excavator
- Ideal for separating and sorting concrete from steel
- Downsize concrete quickly
- All pins, brackets and hardware included
- Weld on replaceable teeth
- Available for excavators with 40,000 lbs. to 79,000 lbs. operating weight



## EXCAVATOR MANUAL THUMBS //

- Handle stumps, trees, brush, logs, pipe and stone material, for site-prep, demolition and waste recycling
- Welded onto stick or boom arm
- Folds away, leaving no interference with digging and other operations
- Can be installed easily by qualified welders in approximately 2-hours
- Includes all pins and hardware
- For excavators from 4,000 lbs. to 79,000 lbs.



## EXCAVATOR HYDRAULIC PIN MOUNTED THUMBS //

- Hydraulic thumbs available for any excavator
- Pins, cylinder and factory bushings supplied
- Hydraulic thumbs mount to bucket and boom arm or bucket and coupler
- Heavy duty cylinder made in USA
- Does not include jump hoses
- We supply worksheet to confirm the measurements for exact fit
- Thumb moved hydraulically
- For excavators from 4,000 lbs. to 79,000 lbs.





## EXCAVATOR HYDRAULIC PROGRESSIVE LINK THUMBS //

- Full rotation
- Folds up tight for storage (180° rotation)
- Thumb moves hydraulically
- Includes pins, cylinder and factory bushings
- Hydraulic thumbs mount to bucket and boom arm or bucket and coupler
- Does not include jump hoses
- Heavy duty cylinder made in USA
- Available for any size or model excavator from 33,000 lbs. to 79,000 lbs.

## EXCAVATOR HYDRAULIC STICK MOUNTED THUMBS //

- Come with all necessary hardware to mount to machine
- Heavy duty cylinder made in USA
- Does not include jump hoses
- We supply worksheet to confirm the measurements for exact fit
- Welded onto stick or boom arm
- Thumb moved hydraulically
- Available for any size or model excavator from 4,000 lbs. to 79,000 lbs.



# LOADER

## ATTACHMENTS

FIND THE IDEAL ATTACHMENT FOR THE TASK IN-HAND,  
WITH THE PERFECT FIT FOR YOUR LOADER.

*Solesbee's offers a wide range of loader  
attachments to suit your application*

## LOADER FORKS //

- Fully forged with a certified 3 to 1 strength factor
- Available with either pin on or quick hitch mounting arrangements
- Available with any width frame and fork combination
- Forks can be fixed or adjustable
- Available floating or non-floating





## LOADER RAKES //

- Load or pile logs, brush, rocks, demolition debris and many other materials
- Rakes are available for any model loader
- Available with either pin on or quick hitch mounting arrangements



## TOP CLAMP LOADER RAKES //

- Load or pile logs, brush, rocks, demolition debris and many other materials
- Available for any model loader
- Available with quick hitch mounting arrangements
- Hoses plumbed to center on back of rake



# DOZER

## ATTACHMENTS

FIND THE IDEAL ATTACHMENT FOR THE TASK IN-HAND,  
WITH THE PERFECT FIT FOR YOUR DOZER.

*Solesbee's offers a wide range of dozer rakes and  
blades to suit your application*

### PIN ON DOZER RAKES //

- Furnished with all pins and brackets for easy installation
- Rake can be installed by qualified welder in less than 2 hours
- After brackets have been installed, rake can be quickly mounted or dismounted





## BRUSH GUARD RAKES //

- Severe duty rakes for the most rugged clearing applications
- Available for mounting to C-Frame
- Rakes are available for any model dozer
- Brush guard is approx 18" above top of blade



## MULTI-FIT RAKES //

- Multiple pin settings to fit different height blades
- Furnished with all pins and brackets for easy installation
- Rake can be installed by qualified welder in less than 2 hours
- After brackets have been installed, rake can be quickly mounted or dismantled



# SKID STEER

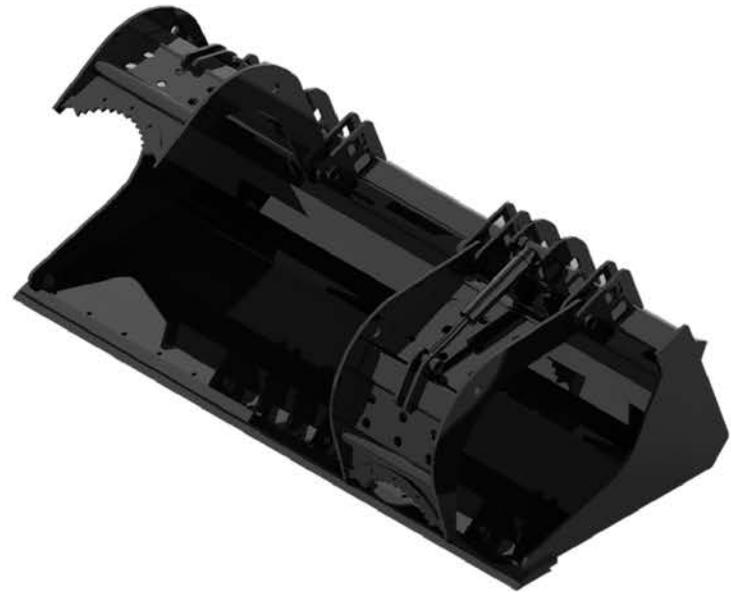
## ATTACHMENTS

FIND THE IDEAL ATTACHMENT FOR THE TASK IN-HAND,  
WITH THE PERFECT FIT FOR YOUR SKID STEER.

*Solesbee's offer a wide range of buckets and grapples  
to suit your application.*

## SKID STEER BUCKET GRAPPLES - GEN 2 / /

- Now featuring deeper sides to hold more material
- Ideal for clearing, site prep and industrial applications
- Heavy duty USA-made industrial cylinders
- Greaseable pivot points
- Universal skid steer hook-up
- Hose kit and quick connect fittings included





## SKID STEER TOOTH BUCKETS //

- Universal skid steer hook-up
- Improved grip with welded teeth
- Heavy Duty ASTN 572-Grade steel
- Holds more material than a low profile bucket



## SKID STEER BOLT-ON EDGE BUCKETS //

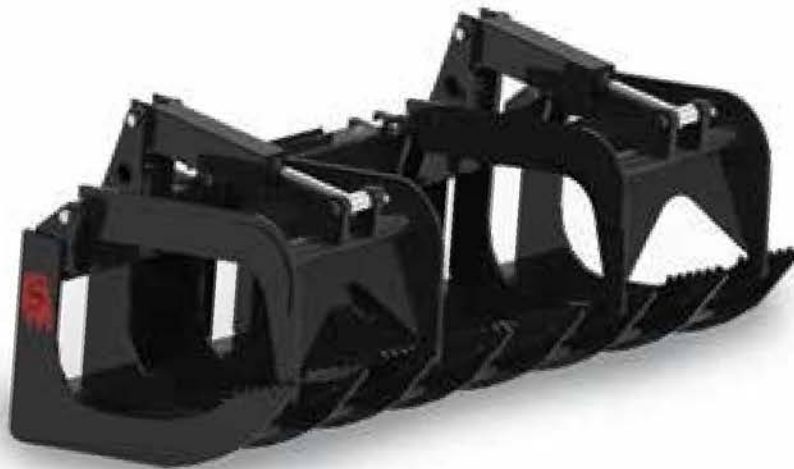
- Universal skid steer hook-up
- Replaceable cutting edge
- Heavy Duty ASTN 572-Grade steel
- Holds more material than a low profile bucket





## SKID STEER GRAPPLES //

- Load or pile logs, brush, rocks, demolition debris, and many other materials
- Ideal for separating and sorting materials
- Heavy duty USA-made industrial cylinders
- Hose kit and quick connect fittings included
- Greaseable pivot points
- Universal skid steer hook-up
- Tines 8-7/8" apart





## SKID STEER PALLET FORKS //

- No costly rental fees or forklift investment
- Fully forged with a certified 3 to 1 strength factor
- Tines 1-1/2" thick and 4" thick
- Different tine lengths available
- Load capacity up to 3,500 lbs
- Carriage and set of forks included
- Universal skid steer hook-up
- With step on both sides for easy climbing into the cabin



Solesbee's takes great pride in being the distributor of the Auger Torque product range through the USA.



## ATTACHMENTS

**POWERFUL EARTHMOVING ATTACHMENT THAT DELIVER GROUNDBREAKING PERFORMANCE**

*Auger Torque offers a wide range of earthmoving attachments to suit your application.*

# DISCOVER AUGER TORQUE

DELIVERING GROUNDBREAKING PERFORMANCE

Auger Torque, a member of the Kinshofer Group, is a global manufacturer of hydraulic earthmoving attachments. Established in the UK in 1998, Auger Torque, today has a global manufacturing, distribution and dealer network and has rightly earned its place as one of the industry leaders in the attachment market.

From cutting-edge auger drives to efficient stump planers, from mulchers to cone crusher buckets, Auger Torque pioneers the production of innovative hydraulic attachments designed for use on skid steers, excavators, loaders, telehandlers and more.

The product range is developed to deliver groundbreaking performance which improve efficiency, reduce costs, and boost productivity in earthmoving, construction and agriculture markets. Auger Torque's local in-house expertise and dedicated dealer network ensure exceptional service, unparalleled quality, and unwavering reliability, with readily available products.



*Discover more of the Auger Torque range online.*







## CONE CRUSHER BUCKET //

- Easy to use and compact for small working sites – compatible with excavator, backhoe and skid steer
- Bucket mouth allows for effective scooping and sorting
- Seven sided rotating cone inside a cylindrical drum
- Grinding faces made in steel and tungsten carbide
- Built around a series 3.5 sub gearbox



## DRUM CUTTER //

- ideal attachment for rocky terrain excavation trenching and surface scaling
- High quality construction and design
- Waterproof to 80 feet depth
- Robust spur gear
- Adjustable hydraulic motors
- Large drum and pick assortment
- Low maintenance operation





## SKID STEER TRENCHERS //

- For placing gas and water pipes, cables, for drainage or irrigations
- Adjustable depth control
- Dirt being removed from the trench is placed off to one side due to single sided auger, providing for an effortless backfilling
- Chains in different widths
- Combination chain with earth and tungsten teeth
- Easy mounting with side shift frame



## SKID STEER EARTH DRILLS AND AUGERS //

- Ideal for fencing, road signage, borings for poles, tree planting and other landscaping applications
- Non-Dislodgement Shaft for increased safety
- Pre-filled with colored gear oil as indicator
- Different drives and suitable augers available
- Augers with shallow pitch flights and patented Shock Lock-System for the teeth
- Easy mounting with center mount frame





## SKID STEER LOG SPLITTERS //

- Mounts to earth drill for easy log splitting
- Pilot and splitter with self-guiding thread
- Robust single piece conical design
- Easily fit to your existing earth drill
- 180mm diameter, 300mm length



## SKID STEER STUMP PLANERS //

- Mounts to earth drill for easy stump planing
- Unique pilot drills into tree stump, pulling down the planer effortlessly
- Due to blade arrangement, one new cut occurs at each turn
- Tree stump is planed off to small and easy to clean elements





## HAMMER KSB-LINE //

1,100-27,000 lbs)

- Monobloc design w/o tie rods – solid construction, less maintenance
- Only two moving parts – less wear and easy to maintain
- Extra long, reinforced bushing up to KSB8) – reduces down time
- Special seal compound for sealing the gas chamber – long lasting of the nitrogen charge



## MIXER BOWL //

- Available in 37 and 48 gallon sizes
- Attaches quickly and easily to our Earth Drills
- Easy to mix in inaccessible areas
- Skid Steer and Excavator mount brackets are available



Solesbee's has partnered with Norm Engineering to bring attachments that maximize your machine's efficiency!



---

## ATTACHMENTS

**INNOVATIVE ATTACHMENTS THAT MAXIMIZE MACHINE EFFICIENCY AND CAPABILITY**

*Discover greater function and versatility with the new range of leading-edge attachments*

# SOLESBEE'S POWERED BY NORM ENGINEERING

## MAXIMIZE MACHINE EFFICIENCY

For over three decades, Solesbee's has been a trusted name in heavy-duty attachments, renowned for our unwavering commitment to function, durability, and efficiency. As part of our ongoing dedication to innovation, we've partnered with Norm Engineering, introducing a groundbreaking range of products that redefine the possibilities of skid steer attachments.

Norm Engineering, an Australian-based manufacturer, shares our passion for creative design and practicality. Together, we've curated a line of multi-use attachments that expand the capabilities of your machinery.

Backed by our in-house manufacturing expertise, customers can rest assured of top-notch product quality, comprehensive technical support, and unparalleled customer service—all complemented by the Solesbee's 2-Year warranty.



## 4-IN-1 SKID STEER BUCKET//

- Standard bucket, scraper, dozer blade, and grapple
- Standard widths from 915mm-2400mm
- Serrated edges for stronger grip
- Wide opening jaws for easy dumping
- Reversible bolt-on edges extend the life of the bucket
- Extra-heavy duty flat floor provides additional strength
- Includes hoses and standard couplings
- Tie down points for safe transporting
- Personalized load guard options
- Hydraulic Circuit: Standard auxiliary flow.



## PRO SERIES 4-IN-1 SKID STEER BUCKET WITH TILT //

- The Pro Series 4-IN-1 Bucket features optional tilt utilizing our sturdy design with a tilting rear pickup



POWERED BY NORM ENGINEERING







## REVERSIBLE STICK RAKE //

- Switch between dual edges by replacing 4 locking pins.
- Reversible attachment with dozer blade edge and stick rake edge
- Dozer comes with reversible bolt-on cutting edge
- 12-16 mm tines
- 500 grade quench and tempered plate





# HYDRAULIC SKID STEER REAR RIPPERS //

- Ideal for breaking up dirt and roots
- Standard with 5 removable tines (other options available)
- Replaceable Teeth
- Custom fit to individual makes and models



POWERED BY NORM ENGINEERING



**KINSHOFER**  
crane and excavator attachments

# KINSHOFER

---

## ATTACHMENTS

### SIMPLY MOVE THE WORLD

---

*Kinshofer USA offers a wide range of loader crane and excavator attachments to suit your next application.*

**KINSHOFER, USA**

6420 Inducon Drive, Ste G  
Sanborn, NY 14132

**+1 (905) 335 2856**

**+1 (800) 268 9525**

# CAN'T FIND WHAT YOU ARE LOOKING FOR? WE ARE YOUR ONE STOP SHOP!

Founded in 1971 by Alfred Kinshofer, the Kinshofer Group has become a global leader in multiple industries, including Construction & Landscaping, Demolition, Recycling & Scrap, Railway Maintenance, Material Handling, Foundation & Drilling, Forestry, and Mining.

With nine specialty industry brands and 19 companies across 13 countries, the group offers over 4000 products. As experts in attachments for construction machinery, we are dedicated to innovation, efficiency, and productivity.

We collaborate closely with clients to provide logistical solutions and end-of-life product support, aiming to "Simply Move the World" in each of our industries.



*Discover the Kinshofer Group online*





**KINSHOFER USA**

Tel.: +1 (716) 731 4333  
 Toll Free (North America):  
 1 (800) 268 9525  
 Email: sales-usa@kinshofer.com

**AUSTRALIA**

Auger Torque Australia Pty Ltd.  
 Tel.: +61 (0) 7 3274 2077  
 Email: sales@augertorque.com.au  
 www.augertorque.com.au

**RF System AB**

Tel.: +46 (0)44 817 07  
 Email: info@rf-system.se  
 www.rf-system.se

**KINSHOFER EUROPE**

Tel.: +49 (0)8021 8899 0  
 Email: info@kinshofer.com

**Doherty Engineered Attachments LTD**

Tel.: +64 7 574 3000  
 Email: sales@dohertydirect.net  
 www.dohertydirect.net

**FRANCE**

KINSHOFER France S.A.R.L.  
 Tel.: +33 (0)388 3955 00  
 Email: sales-france@kinshofer.com

**UNITED KINGDOM**

Auger Torque Europe Ltd.  
 Tel.: +44 (0) 1451 861 652  
 Email: sales@augertorque.com  
 www.augertorque.com

**NETHERLANDS**

Demarec Demolition and Recycling B.V.  
 Tel.: +31 (0)485 44 2300  
 Email: info@demarec.com  
 www.demarec.com

**CZECH REPUBLIC / SLOVAKIA**

KINSHOFER CZ s.r.o.  
 Tel.: +420 384 795 110  
 Email: info@kinshofer.com

**UNITED KINGDOM**

KINSHOFER UK Ltd.  
 Tel.: +44 (0)161 406 7046  
 Email: sales-uk@kinshofer.com

**CANADA**

KINSHOFER North America  
 Tel.: +1 (905) 335 2856  
 Toll Free (North America):  
 1 (800) 268 9525  
 Email: sales-northamerica@kinshofer.com

**Hammer S.r.l.**

Tel.: +39 080 337 5317  
 Email: info@hammerurope.com  
 www.hammereurope.com







# WARRANTY

GUARANTEE

NOW WITH ADDED PEACE-OF-MIND

*we've launched a two-year warranty\* across all our product ranges. Because SOLESBEE'S quality gives you control.*

*\*Terms and conditions apply*

#### TYPE OF WARRANTY:

SOLESBEE'S product is warranted to be free from defects with regard to materials and workmanship for the period of twenty four (24) months from date of commissioning but not longer than thirty (30) months from the date of purchase by the Contracting Partner and not more than 4000 working hours. Parts that have been repaired or replaced by SOLESBEE'S or its Contracting Partner pursuant to the above are warranted under normal and proper use, storage, service and maintenance against defects in workmanship and material for a period of three (3) months from date of repair or adjustment or the expiration of the product warranty, whichever is longer.

SOLESBEE'S original spare parts are warranted to be free from defects with regard to materials and workmanship for the period of three (3) months from date of purchase.

SOLESBEE'S factory refurbished product is warranted to be free from defects with regard to materials and workmanship for the period of six (6) months from date of purchase.

SOLESBEE'S may offer extended warranty at a certain cost. Please contact SOLESBEE'S for more information. In case the Contracting Partner extends the warranty period to its Customer then this additional period and this warranty is the sole obligation of the Contracting Partner and potentially associated cost must be born by the Contracting Partner.

Occasionally applications may be outside the product's designed scope. SOLESBEE'S expressly declares that, if in doubt, these applications must be approved by SOLESBEE'S's Contracting Partner prior to commissioning the product.

#### EXCLUSIONS:

The warranties do not apply to expendable components. Nor will SOLESBEE'S or its

Contracting Partner have any obligation to make repairs or replacements which are required by normal wear and tear, or which result, in whole or in part, from catastrophe, fault or negligence, or from improper installation, storage, operation, service or repair of the products, or use of the products in a manner for which they were not designed, or by causes external to the products. In addition to the above warranty does not include loss of income due to downtime, damage due to misuse or abuse, negligence, accidents, alterations, routine maintenance or normal wear. Any parts that are found missing after the initial in-service date are not covered under warranty. The tightening of loose fittings or hoses is to be considered a maintenance issue, therefore any hydraulic leaks due to a loose fitting is not covered under warranty.

#### WARRANTY PROCEDURES:

If a product allegedly is defective in material or workmanship within the warranty scope, the purchaser must promptly contact SOLESBEE'S or an Contracting Partner to determine whether the purchaser should either (a) send the product to a service location or (b) make the product available at the purchaser's location (or another location) for examination by SOLESBEE'S or its Contracting Partner. The cost and risk of transporting the allegedly defective Product to SOLESBEE'S or its Contracting Partner will be borne by the purchaser, and the cost of transporting the corrected Product back to the purchaser will be borne by SOLESBEE'S or the Contracting Partner, FCA the location from which SOLESBEE'S or its Contracting Partner sends back the corrected Product to the purchaser. (If the allegedly defective Product that purchaser sends to SOLESBEE'S or a Contracting Partner is not defective, the purchaser will also bear the cost of the transport of the product back to the purchaser.)

If examination by SOLESBEE'S or its Contracting Partner results in a determination

that the Product is defective in workmanship or material, subject to the warranty scope and limitations, the Product will be repaired or replaced (or credited) at no charge. If the Product upon such examination is found to not be defective in workmanship or material (for example, if the Product is not functioning properly due to abnormal use, improper service, or alteration, modification or parts usage), then such repair or replacement, if any, will be performed by SOLESBEE'S or an Contracting Partner at normal servicing charges to the purchaser plus shipping costs.

Every warranty claim by Contracting Partner's customers, based upon alleged non-conforming Products, regardless of the manufacturer of those Products, and all information relating thereto which is communicated to Contracting Partner will be communicated in writing to SOLESBEE'S. The Contracting Partner also will promptly ascertain and communicate to SOLESBEE'S the pertinent facts, including a full description of the Products, a copy of SOLESBEE'S's sales invoice or serial number, the nature of the alleged defect, the circumstances under which the defect was discovered and, if applicable, any misuse or neglect or inappropriate installation, maintenance, or storage in connection with the Products. The Contracting Partner will not for the account of SOLESBEE'S do any repair work nor replace Products nor grant refunds to customers except upon and pursuant to terms of specific written instructions from a duly representative of SOLESBEE'S. The Contracting Partner promises to perform all warranty repairs that are authorized and approved by SOLESBEE'S and the Contracting Partner will be reimbursed in the following manner: a) SOLESBEE'S, at its option, will either supply replacement parts free of charge or credit Contracting Partner's account at current prices for parts supplied from Contracting Partner's inventory. All replaced parts must be held by Contracting Partner for at least ninety (90) days following the filing



date of Contracting Partner's warranty claim pending instructions from SOLESBEE'S as to disposition of the parts.

b) Labor expenses incurred by Contracting Partner in connection with warranty repairs are reimbursed at USD 75.00 p. working hour, USD 75.00 p. hour driving time and USD 0.50 p. mile driven to maximum of 350 miles each way.

No other expenses of travel will be reimbursed unless agreed to in advance by SOLESBEE'S in writing. SOLESBEE'S reserves the right to disapprove the number of hours or miles claimed if they appear to be unreasonable.

c) SOLESBEE'S will assume all cost to ship replacement part from its locations to the Contracting Partner. This may include freight and customs duty.

d) In order for Contracting Partner to be eligible for reimbursement (for applicable labor, parts, mileage) in accordance with the foregoing, the following must be true: (i) the repair or replacement work is covered by warranty; (ii) Contracting Partner is able to document, at SOLESBEE'S's request, completion of recommended or required maintenance for the Product at prescribed intervals using correct parts; and (iii) the warranted repair or replacement work is performed by an Contracting Partner.

e) All warranty claims must be received within thirty (30) days of repair or replacement including the required information: i. SOLESBEE'S model number

ii. SOLESBEE'S serial number

iii. Description of problem

iv. Itemized bill of repair with breakdown of numbers of hours to perform warranty work and labor charges as listed above.

v. Part used for repair with SOLESBEE'S P/N

vi. R.M.A. number of applicable (claim number)

vii. Contact at SOLESBEE'S

f) SOLESBEE'S will invoice any part or new product supplied. A credit note will be issued if after assessment of the returned material warranty is granted.

#### **ORDERING AND RETURNING SPARE PARTS, REPAIRS:**

##### **ORDERING SPARE PARTS:**

In order to guarantee quick delivery, please be sure to include the

following when placing orders:

1. SOLESBEE'S model and serial number
2. Designation and number of the part in accordance with the spare parts list
3. Designation and number marked on the individual component (if applicable)

##### **RETURN OF SPARE PARTS:**

1. To receive credit on returned parts, the original purchase date must be within 6 months.

2. Parts must be received in new condition. Any part received not in new condition will be subject to inspection and possible refusal if part cannot be brought back to new condition. The cost of rework will be deducted from credit amount.

3. All parts being returned must have a R.M.A. (Return Merchandise Authorization) number, copy of original invoice, and a detailed packing list of returned parts. All returned parts are subject to a 15% restocking charge.

4. R.M.A. numbers will be issued by parts department, and are valid for 30 days. All returned R.M.A. parts must be returned to SOLESBEE'S by prepaid freight.

CORRECTION OF NON-CONFORMITIES, IN THE MANNER AND FOR THE PERIOD OF TIME PROVIDED HEREIN, WILL BE THE PURCHASER'S SOLE AND EXCLUSIVE REMEDY AND WILL CONSTITUTE FULFILLMENT OF ALL LIABILITIES FOR SUCH NON-CONFORMITIES, WHETHER BASED ON CONTRACT, WARRANTY, NEGLIGENCE, INDEMNITY, STRICT LIABILITY OR OTHERWISE WITH RESPECT TO OR ARISING OUT OF SUCH PRODUCT.

THE ABOVE WARRANTIES ARE EXCLUSIVE AND IN LIEU OF ALL OTHER WARRANTIES OF ANY KIND, WRITTEN, ORAL OR IMPLIED, AND ALL OTHER WARRANTIES INCLUDING ANY WARRANTY OF MERCHANTABILITY OR FITNESS FOR PURPOSE ARE HEREBY DISCLAIMED.



# WARRANTY

## GUARANTEE

Auger Torque provide a LIFETIME parts replacement warranty on the dislodgement of the Earth Drill shaft and any failure of the Shock Lock system to prevent loss of teeth under normal operating conditions.

All Auger Torque products are warranted to be free from defects in materials or workmanship for the periods summarized below:

**PLANETARY GEARBOX COMPONENTS - 72 MONTHS**  
**HYDRAULIC MOTORS - 36 MONTHS**  
**ALL OTHER PARTS / PRODUCTS - 24 MONTHS**

The warranty periods will commence from Date of Sale by an authorized Auger Torque Dealer. Evidence of the date of sale may be required and for Planetary and Hydraulic Motor warranties to be valid the product must be registered with Auger Torque within 4 weeks of the date of sale. Extended Warranty (> 24 months) Products can be registered by returning the Registration Card supplied or by filling out the form below. This warranty is not transferable beyond the initial purchaser of the product.

A warranty claim should be reported to the Auger Torque Dealer who supplied the unit. The Dealer, with the technical backup of Auger Torque, will make an initial assessment.

The customer is responsible for returning the product for warranty inspection to the original supplying dealer's facility. Parts should not be delivered without the prior agreement of the dealer or Auger Torque.

During the warranty period Auger Torque, at its option, will repair or replace any parts free of charge determined as defective by Auger Torque. Such repairs will be undertaken by Auger Torque or its nominated representative at an Auger Torque facility or a location deemed suitable by Auger Torque. Auger Torque are not liable for any associated costs relating to a warranty failure.

Parts repaired or replaced by Auger Torque are then covered by this warranty for the remainder of the original warranty as if such parts were original parts.

Products or parts which, as determined by Auger Torques examination, show wear from normal use, have been improperly operated, damaged by accident or negligence, altered or modified are not considered defective and are not covered by this warranty.

This warranty is void if any attempt is made to make field repairs unless these have been pre-approved in writing by Auger Torque.

This warranty is void if the products are not serviced in-line with the instructions in the Operators Manual. Particular care should be taken to perform regular oil changes in gearboxes.

This warranty is exclusive and in-lieu of any other expressed warranties. There are no warranties of merchantability or fitness for a particular purpose. Auger Torque shall not be liable for any consequential, incidental or punitive damages, losses or expenses, including those resulting from or caused by any defects.

As you would expect from Auger Torque, with our extensive experience and product reliability we'll always go the extra mile to keep you working.





# QUALITY THAT GIVES YOU CONTROL

Based in Winston, Atlanta GA, SOLESBEE'S Equipment and Attachments LLC is a full-service, heavy equipment manufacturer offering high-quality, standard and custom attachments for every major brand of heavy equipment. In operation since 1993, we offer a complete line of strong and durable attachments for every type of job required by forklifts, bulldozers, front-end and back-end loaders, excavators and tractors.

## SOLESBEE'S EQUIPMENT & ATTACHMENTS, LLC.

2640 Jason Industrial Parkway  
Winston, GA 30187

Phone: +1 (800) 419-8090  
E-mail: sales@solesbees.com

@SolesbeesEquipment



Products and specifications subject to change without prior notice.  
Some products may not be available in your country or region.  
© 2020 Solesbee's Company, LLC. All Rights Reserved.

- QUALITY MATERIAL
- AVAILABILITY
- 2 YEAR WARRANTY



DISCOVER US ONLINE

